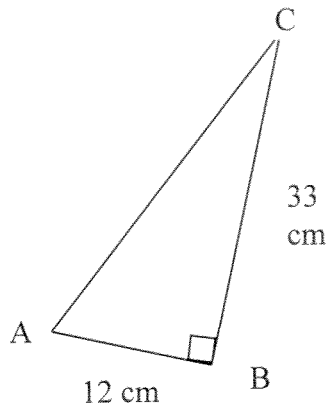


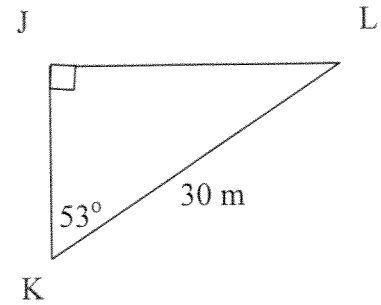
SOLVING THE ENTIRE TRIANGLE

Solve each triangle for all unknown sides and angles (to one decimal place).

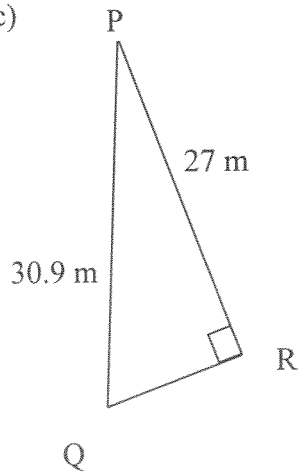
a)



b)



c)



d)

