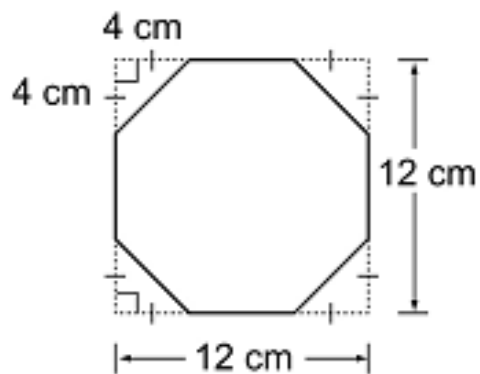


Perimeter of Composite Figures

Warm-up

Find the area of the octagon.

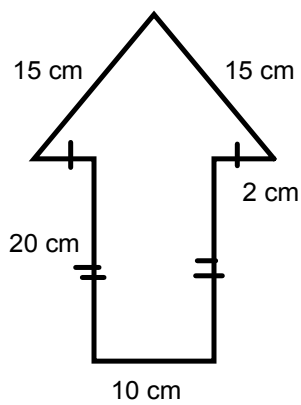


Finding the Perimeter of a Composite Figure.

The interface includes a green border with 'Edit' and 'Reset' buttons at the top left and a help icon (a question mark in a circle) at the top right. A list of instructions is displayed on the left side of the main area:

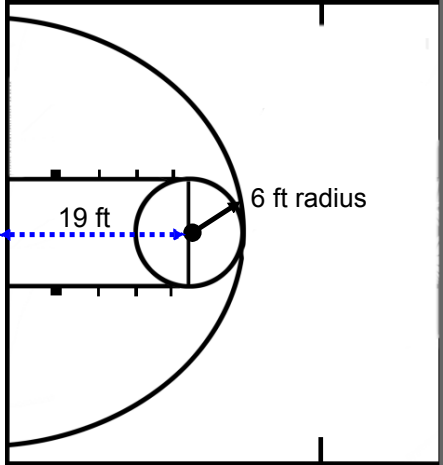
- 1 The Perimeter must go around the outside of the shape. It never passes through it.
- 2 Trace the outside of the shape.
- 3 Add up the lengths of each side you traced
- 4

Ex.1) Find the Perimeter of the following composite figure.



1. Trace the outside of the shape.
2. add up all the lengths of the sides you traced.

Ex. 2) Find the Perimeter of the key on a basketball court.



Ex 3. Jax wants to fence and sod a backyard area as shown in the diagram. Sod Costs $\$3.50/\text{m}^2$, and fencing costs $\$15/\text{m}$. How much will his backyard project cost?

